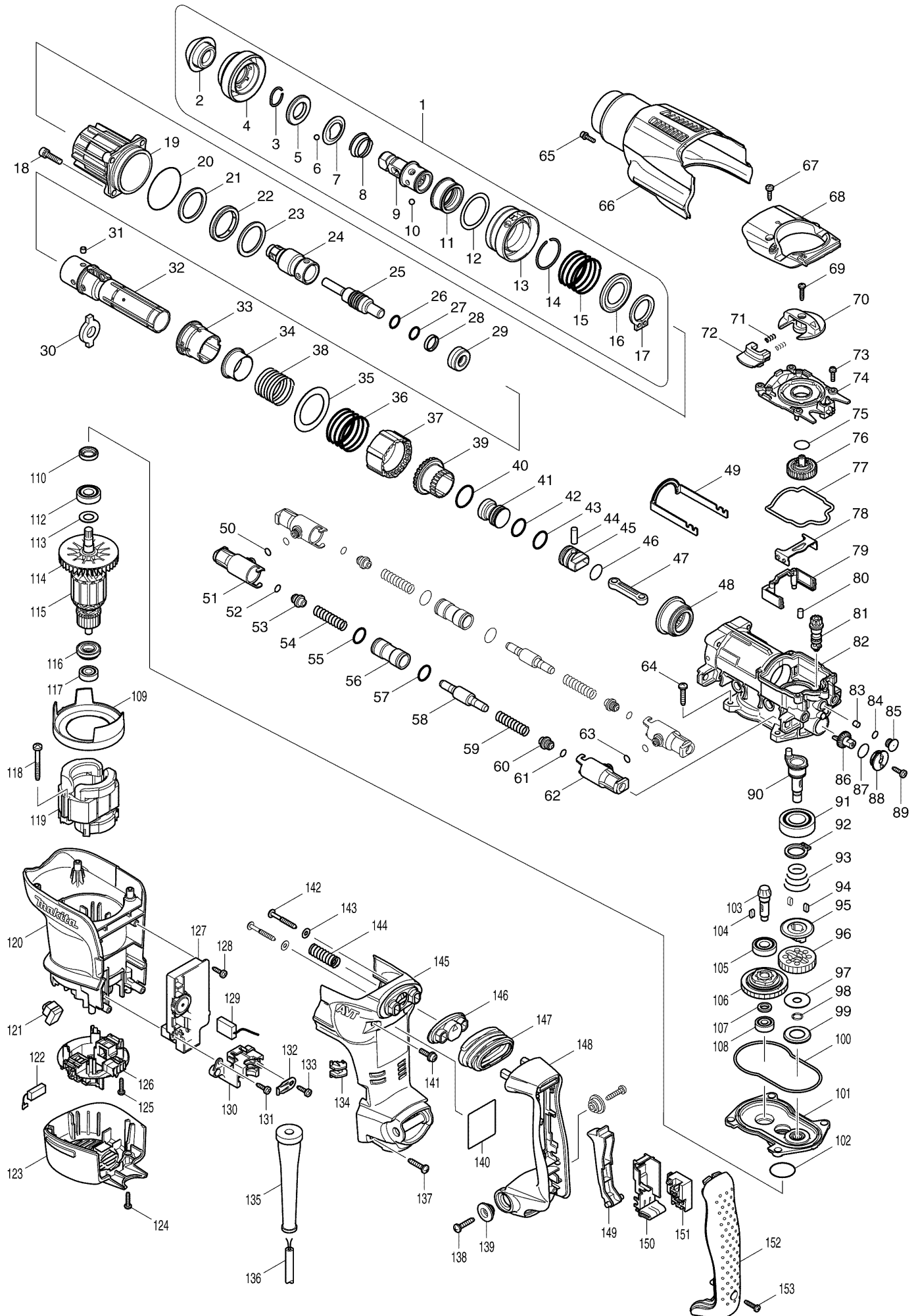


Nr.	Art nr.	Namn
2	286282-0	TOOL HOLDER CAP
3	233940-9	RING SPRING 19
4	450245-4	CHUCK COVER
5	257288-5	RING 21
6	216022-2	STEEL BALL 7.0
7	345873-7	GUIDE WASHER
8	234049-0	CONICAL COMPRESSIONSPRING22-32
9	324842-1	TOOL HOLDER
10	216013-3	STEEL BALL 6
11	331801-8	CHANGE RING
12	267362-1	FLAT WASHER 37
13	450258-5	CHANGE COVER
14	231988-5	RING SPRING 34
15	234052-1	COMPRESSION SPRING 42
16	345870-3	WASHER 28
17	961108-4	RETAINING RING S-28
18	922341-3	HEX. SOCKET HEAD BOLT M6X25
19	158533-0	BARREL COMPLETE
20	213656-2	O RING 53
21	267810-0	FLAT WASHER 34
22	262138-1	URETHAN RING 34
23	267810-0	FLAT WASHER 34
24	324841-3	TOOL HOLDER GUIDE
25	324850-2	IMPACT BOLT
26	213228-3	O RING 15
27	213228-3	O RING 15
28	213321-3	FLUORO CARBON RESIN RING 20
29	424062-8	RUBBER RING 13
30	324838-2	SLIDE PLATE
31	256266-2	PIN 6
32	331794-9	CYLINDER 25
33	450243-8	SLIDE SLEEVE
34	331805-0	RING 29
35	267360-5	FLAT WASHER 40
36	234052-1	COMPRESSION SPRING 42
37	450236-5	LOCK SLEEVE
38	234050-5	COMPRESSION SPRING 34
39	331795-7	DRIVING SLEEVE
40	213434-0	O RING 26
41	324858-6	STRIKER
42	213283-5	O-RING 18
43	213283-5	O-RING 18
44	256087-2	PIN 7
45	324918-4	PISTON
46	213262-3	O RING 18
47	450235-7	CONECTING ROD
48	227531-6	SPIRAL BEVEL GEAR 37
49	345867-2	LINK ARM

50	213030-4	O RING 8
51	450248-8	PIPE HOLDER
52	213030-4	O RING 8
53	450239-9	SPRING GUIDE
54	234048-2	COMPRESSION SPRING 10
55	213275-4	O RING 18
56	331800-0	PIPE 15
57	213275-4	O RING 18
58	324862-5	COUNTER WEIGHT
59	234048-2	COMPRESSION SPRING 10
60	450239-9	SPRING GUIDE
61	213030-4	O RING 8
62	450248-8	PIPE HOLDER
63	213030-4	O RING 8
64	266041-8	TAPPING SCREW 5X25
65	922123-3	HEX. SOCKET HEAD BOLT M4X14
66	450254-3	CRANK HOUSING COVER
67	266192-7	TAPPING SCREW 4X14
68	318201-9	CRANK CAP COVER
69	265995-6	TAPPING SCREW 4X18
70	450249-6	CHANGE LEVER
71	233436-0	COMPRESSION SPRING 3
72	450250-1	LOCK BUTTON
73	911128-8	PAN HEAD SCREW M4X16
74	450241-2	CRANK CAP
75	213223-3	O RING 16
76	158437-6	SPUR GEAR 33 COMPLETE
77	424064-4	SEAL RING B
78	345868-0	LINK PLATE
79	450247-0	AIR PIPE
80	263005-3	RUBBER PIN 6
81	452126-8	GEAR SHAFT
82	158712-0	CRANK HOUSING COMPLETE
83	443138-2	FILTER
84	213030-4	O RING 8
85	450238-1	FILTER CAP
86	450244-6	CRANK GEAR
87	213176-6	O RING 14
88	450237-3	CAP HOLDER
89	266192-7	TAPPING SCREW 4X14
90	324839-0	CRANK SHAFT
91	211332-2	BALL BEARING 6004LLU
92	961060-6	RETAINING RING S-20
93	231991-6	CONICAL COMP. SPRING 21-31
94	254239-9	KEY 4
95	324848-9	CLUTCH
96	227188-3	SPUR GEAR 33
97	253197-6	FLAT WASHER 10
98	961036-3	RETAINING RING WR-10

99	345869-8	CUP WASHER 18
100	424063-6	SEAL RING A
101	158534-8	GEAR HOUSING COMPLETE
102	213415-4	O RING 28
103	227533-2	SPIRAL BEVEL GEAR 9
104	254239-9	KEY 4
105	210105-0	BALL BEARING 6001LLU
106	125421-6	TORQUE LIMITER ASSY
107	257291-6	RING 10
108	210005-4	BALL BEARING 608DDW
109	450251-9	BAFFLE PLATE
110	213133-4	OIL SEAL 12
112	210105-0	BALL BEARING 6001LLU
113	253084-9	FLAT WASHER 12
115	513748-0	ARMATURE ASS'Y 220-240V
116	681650-6	INSULATION WASHER
117	210005-4	BALL BEARING 608DDW
118	266056-5	TAPPING SCREW 5X45
119	625813-4	FIELD 220-240V
120	450260-8	MOTOR HOUSING
121	631785-3	LED CIRCUIT
122	194160-9	Hillet CB-350
123	450253-5	REAR COVER
124	265995-6	TAPPING SCREW 4X18
125	265995-6	TAPPING SCREW 4X18
126	638519-5	BRUSH HOLDER UNIT
127	631783-7	CONTROLLER
128	266192-7	TAPPING SCREW 4X14
129	638406-8	LEAD UNIT
130	450246-2	CORD CLAMP BASE
131	266192-7	TAPPING SCREW 4X14
132	687169-3	STRAIN RELIEF
133	266192-7	TAPPING SCREW 4X14
134	450240-4	LENS
135	682560-0	CORD GUARD 10
136	695123-3	POWER SUPPLY CORD 1.5-2-4.0
137	266041-8	TAPPING SCREW 5X25
138	266041-8	TAPPING SCREW 5X25
139	450352-3	SHOULDER SLEEVE 6
140	864544-2	HR3210FCT NAME PLATE
141	911233-1	PAN HEAD SCREW M5X20
142	266211-9	TAPPING SCREW 5X40
143	267066-5	FLAT WASHER 5
144	234051-3	COMPRESSION SPRING 11
145	450255-1	HANDLE BASE
146	419014-2	DUST COVER SUPPORT
147	421912-8	DUST COVER
148	450256-9	HANDLE
149	419025-7	SWITCH LEVER
150	154626-1	SWITCH HOLDER COMPLETE

151	650567-4	SWITCH TG73B-1
152	450257-7	HANDLE COVER
153	265995-6	TAPPING SCREW 4X18



Nr.	Art nr.	Namn
2	286282-0	TOOL HOLDER CAP
3	233940-9	RING SPRING 19
4	450245-4	CHUCK COVER
5	257288-5	RING 21
6	216022-2	STEEL BALL 7.0
7	345873-7	GUIDE WASHER
8	234049-0	CONICAL COMPRESSIONSPRING22-32
9	324842-1	TOOL HOLDER
10	216013-3	STEEL BALL 6
11	331801-8	CHANGE RING
12	267362-1	FLAT WASHER 37
13	450258-5	CHANGE COVER
14	231988-5	RING SPRING 34
15	234052-1	COMPRESSION SPRING 42
16	345870-3	WASHER 28
17	961108-4	RETAINING RING S-28
18	922341-3	HEX. SOCKET HEAD BOLT M6X25
19	158533-0	BARREL COMPLETE
20	213656-2	O RING 53
21	267810-0	FLAT WASHER 34
22	262138-1	URETHAN RING 34
23	267810-0	FLAT WASHER 34
24	324841-3	TOOL HOLDER GUIDE
25	324850-2	IMPACT BOLT
26	213228-3	O RING 15
27	213228-3	O RING 15
28	213321-3	FLUORO CARBON RESIN RING 20
29	424062-8	RUBBER RING 13
30	324838-2	SLIDE PLATE
31	256266-2	PIN 6
32	331794-9	CYLINDER 25
33	450243-8	SLIDE SLEEVE
34	331805-0	RING 29
35	267360-5	FLAT WASHER 40
36	234052-1	COMPRESSION SPRING 42
37	450236-5	LOCK SLEEVE
38	234050-5	COMPRESSION SPRING 34
39	331795-7	DRIVING SLEEVE
40	213434-0	O RING 26
41	324858-6	STRIKER
42	213283-5	O-RING 18
43	213283-5	O-RING 18
44	256087-2	PIN 7
45	324918-4	PISTON
46	213262-3	O RING 18
47	450235-7	CONECTING ROD
48	227531-6	SPIRAL BEVEL GEAR 37
49	345867-2	LINK ARM

50	213030-4	O RING 8
51	450248-8	PIPE HOLDER
52	213030-4	O RING 8
53	450239-9	SPRING GUIDE
54	234048-2	COMPRESSION SPRING 10
55	213275-4	O RING 18
56	331800-0	PIPE 15
57	213275-4	O RING 18
58	324862-5	COUNTER WEIGHT
59	234048-2	COMPRESSION SPRING 10
60	450239-9	SPRING GUIDE
61	213030-4	O RING 8
62	450248-8	PIPE HOLDER
63	213030-4	O RING 8
64	266041-8	TAPPING SCREW 5X25
65	922123-3	HEX. SOCKET HEAD BOLT M4X14
66	450254-3	CRANK HOUSING COVER
67	266192-7	TAPPING SCREW 4X14
68	318201-9	CRANK CAP COVER
69	265995-6	TAPPING SCREW 4X18
70	450249-6	CHANGE LEVER
71	233436-0	COMPRESSION SPRING 3
72	450250-1	LOCK BUTTON
73	911128-8	PAN HEAD SCREW M4X16
74	450241-2	CRANK CAP
75	213223-3	O RING 16
76	158437-6	SPUR GEAR 33 COMPLETE
77	424064-4	SEAL RING B
78	345868-0	LINK PLATE
79	453866-1	AIR PIPE
80	263005-3	RUBBER PIN 6
81	452126-8	GEAR SHAFT
82	158712-0	CRANK HOUSING COMPLETE
83	443138-2	FILTER
84	213030-4	O RING 8
85	450238-1	FILTER CAP
86	450244-6	CRANK GEAR
87	213176-6	O RING 14
88	450237-3	CAP HOLDER
89	266192-7	TAPPING SCREW 4X14
90	324839-0	CRANK SHAFT
91	211332-2	BALL BEARING 6004LLU
92	961060-6	RETAINING RING S-20
93	231991-6	CONICAL COMP. SPRING 21-31
94	254239-9	KEY 4
95	324848-9	CLUTCH
96	227188-3	SPUR GEAR 33
97	253197-6	FLAT WASHER 10
98	961036-3	RETAINING RING WR-10

99	345869-8	CUP WASHER 18
100	424063-6	SEAL RING A
101	158534-8	GEAR HOUSING COMPLETE
102	213415-4	O RING 28
103	227533-2	SPIRAL BEVEL GEAR 9
104	254239-9	KEY 4
105	210105-0	BALL BEARING 6001LLU
106	125421-6	TORQUE LIMITER ASSY
107	257291-6	RING 10
108	210005-4	BALL BEARING 608DDW
109	450251-9	BAFFLE PLATE
110	213133-4	OIL SEAL 12
112	210105-0	BALL BEARING 6001LLU
113	253084-9	FLAT WASHER 12
115	513748-0	ARMATURE ASS'Y 220-240V
116	681650-6	INSULATION WASHER
117	210005-4	BALL BEARING 608DDW
118	266056-5	TAPPING SCREW 5X45
119	625813-4	FIELD 220-240V
120	450260-8	MOTOR HOUSING
121	631785-3	LED CIRCUIT
122	194160-9	Hillet CB-350
123	450253-5	REAR COVER
124	265995-6	TAPPING SCREW 4X18
125	265995-6	TAPPING SCREW 4X18
126	638519-5	BRUSH HOLDER UNIT
127	631783-7	CONTROLLER
128	266192-7	TAPPING SCREW 4X14
129	638406-8	LEAD UNIT
130	450246-2	CORD CLAMP BASE
131	266192-7	TAPPING SCREW 4X14
132	687169-3	STRAIN RELIEF
133	266192-7	TAPPING SCREW 4X14
134	450240-4	LENS
135	682560-0	CORD GUARD 10
136	695123-3	POWER SUPPLY CORD 1.5-2-4.0
137	266041-8	TAPPING SCREW 5X25
138	266041-8	TAPPING SCREW 5X25
139	450352-3	SHOULDER SLEEVE 6
140	864544-2	HR3210FCT NAME PLATE
141	911233-1	PAN HEAD SCREW M5X20
142	266211-9	TAPPING SCREW 5X40
143	267066-5	FLAT WASHER 5
144	234051-3	COMPRESSION SPRING 11
145	450255-1	HANDLE BASE
146	419014-2	DUST COVER SUPPORT
147	421912-8	DUST COVER
148	450256-9	HANDLE
149	419025-7	SWITCH LEVER
150	154626-1	SWITCH HOLDER COMPLETE

151	650567-4	SWITCH TG73B-1
152	450257-7	HANDLE COVER
153	265995-6	TAPPING SCREW 4X18